



Figure similar

Illuminated dual pushbutton, 22mm, round, plastic, white: I, black: O, pushbuttons, flat and raised, with holder for 3 elements, with holder !!!  
 Phased-out product !!! SIRIUS ACT 3SU1 is successor Preferred  
 successor type is >>3SU1001-3BB61-0AK0 + 3SU1500-0AA10-0AA0<<

<b>design of the product</b>	Single device round
<b>Enclosure</b>	
number of command points	2
<b>Actuator</b>	
design of the actuating element	Twin pushbutton with indicator light
principle of operation of the actuating element	momentary contact type
product extension optional light source	Yes
color of the actuating element	white / black
material of the actuating element	plastic
shape of the actuating element	Flat twin pushbutton rectangular
type of unlocking device	without
number of switching positions	2
<b>Front ring</b>	
product component front ring	Yes
design of the front ring	Standard
material of the front ring	plastic
color of the front ring	black
<b>Holder</b>	
material of the holder	Plastic
<b>General technical data</b>	
product function	
• EMERGENCY OFF function	No
• EMERGENCY STOP function	No
protection class IP	IP65
vibration resistance acc. to IEC 60068-2-6	20 ... 200 Hz: 5g
operating frequency maximum	1 000 1/h
mechanical service life (switching cycles) typical	1 000 000
reference code acc. to IEC 81346-2	S
Substance Prohibitance (Date)	01.07.2006 00:00:00
<b>Connections/ Terminals</b>	
tightening torque of the screws in the bracket	1 ... 1.2 N·m
<b>Ambient conditions</b>	
ambient temperature	
• during operation	-25 ... +70 °C
• during storage	-40 ... +80 °C
environmental category during operation acc. to IEC	3K6

60721	
Installation/ mounting/ dimensions	
fastening method	front mounting
shape of the installation opening	round
mounting diameter	22 mm
mounting height	10 mm
installation width	55 mm
installation depth	29 mm

Certificates/ approvals	
General Product Approval	Declaration of Conformity



[Miscellaneous](#)



Marine / Shipping	other
-------------------	-------



[Confirmation](#)

other	Railway
-------	---------

[Miscellaneous](#)

[Special Test Certificate](#)

Further information
---------------------

Information- and Downloadcenter (Catalogs, Brochures,...)

<https://www.siemens.com/ic10>

Industry Mall (Online ordering system)

<https://mall.industry.siemens.com/mall/en/en/Catalog/product?mlfb=3SB3101-8DC31>

Cax online generator

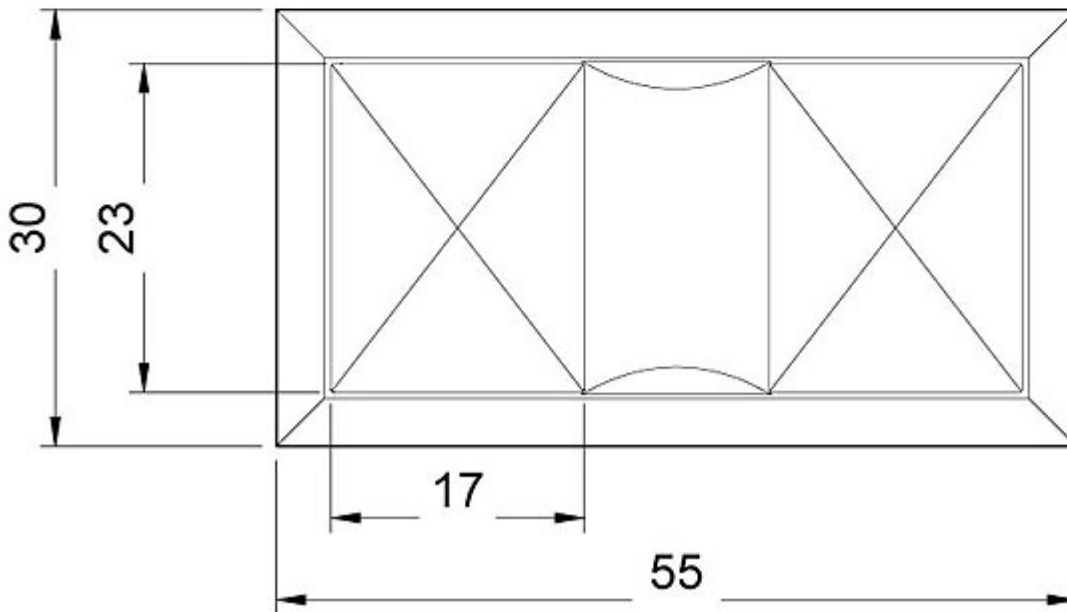
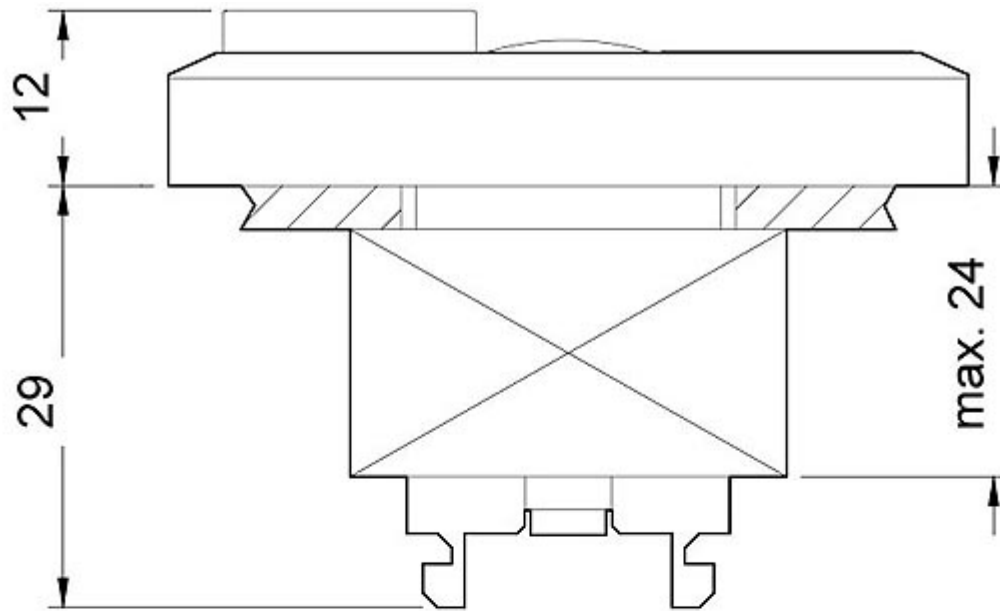
<http://support.automation.siemens.com/WW/CAXorder/default.aspx?lang=en&mlfb=3SB3101-8DC31>

Service&Support (Manuals, Certificates, Characteristics, FAQs,...)

<https://support.industry.siemens.com/cs/ww/en/ps/3SB3101-8DC31>

Image database (product images, 2D dimension drawings, 3D models, device circuit diagrams, EPLAN macros, ...)

[http://www.automation.siemens.com/bilddb/cax\\_de.aspx?mlfb=3SB3101-8DC31&lang=en](http://www.automation.siemens.com/bilddb/cax_de.aspx?mlfb=3SB3101-8DC31&lang=en)



last modified:

1/6/2021 