



Separate standard actuator made of die-cast zinc for safety position switch with tumbler 3SE5312/3SE5322 and AS-i 3SF13 und safety position switch with separate actuator 3SE51/3SE52 and AS-i 3SF11/3SF12

product brand name	SIRIUS	
product designation	actuator	
product type designation	3SE5	
General technical data		
shock resistance	30g / 11 ms	
• acc. to IEC 60068-2-27		
vibration resistance	0.35 mm/5g	
• acc. to IEC 60068-2-6		
mechanical service life (switching cycles) typical	1 000 000	
reference code acc. to IEC 81346-2	T	
active principle	mechanical	
Substance Prohibition (Date)	01.07.2006 00:00:00	
Drive Head		
design of the actuating element	Standard actuator, die cast zinc	
Ambient conditions		
ambient temperature	-25 ... +85 °C	
• during operation		
• during storage	-40 ... +90 °C	
Installation/ mounting/ dimensions		
mounting position	any	
fastening method	screw fixing	
Certificates/ approvals		
General Product Approval	Functional Safety/Safety of Machinery	Declaration of Conformity



[Type Examination Certificate](#)



Declaration of Conformity	Test Certificates	other
---------------------------	-------------------	-------

[UK Declaration of Conformity](#)

[Type Test Certificates/Test Report](#)

[Confirmation](#)

Further information

Information- and Downloadcenter (Catalogs, Brochures,...)

<https://www.siemens.com/ic10>

Industry Mall (Online ordering system)

<https://mall.industry.siemens.com/mall/en/en/Catalog/product?mlfb=3SE5000-0AV01>

Cax online generator

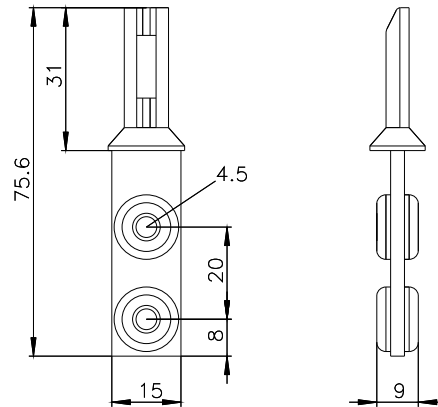
<http://support.automation.siemens.com/WW/CAXorder/default.aspx?lang=en&mlfb=3SE5000-0AV01>

Service&Support (Manuals, Certificates, Characteristics, FAQs,...)

<https://support.industry.siemens.com/cs/ww/en/ps/3SE5000-0AV01>

Image database (product images, 2D dimension drawings, 3D models, device circuit diagrams, EPLAN macros, ...)

http://www.automation.siemens.com/bilddb/cax_de.aspx?mlfb=3SE5000-0AV01&lang=en



last modified:

12/23/2020 